

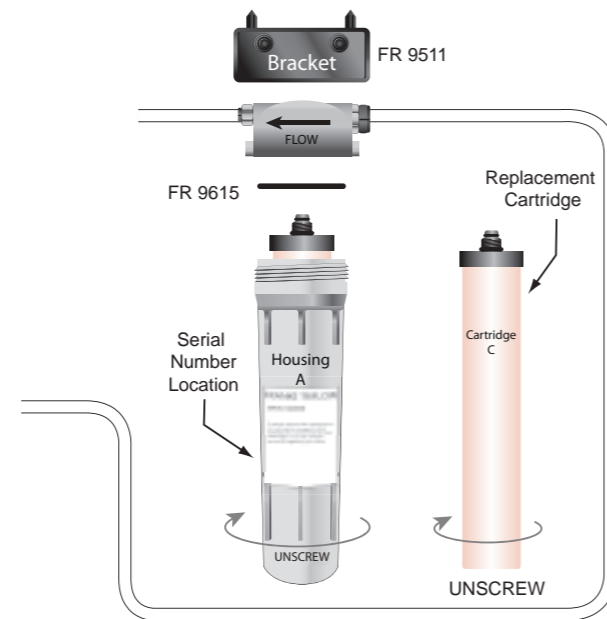
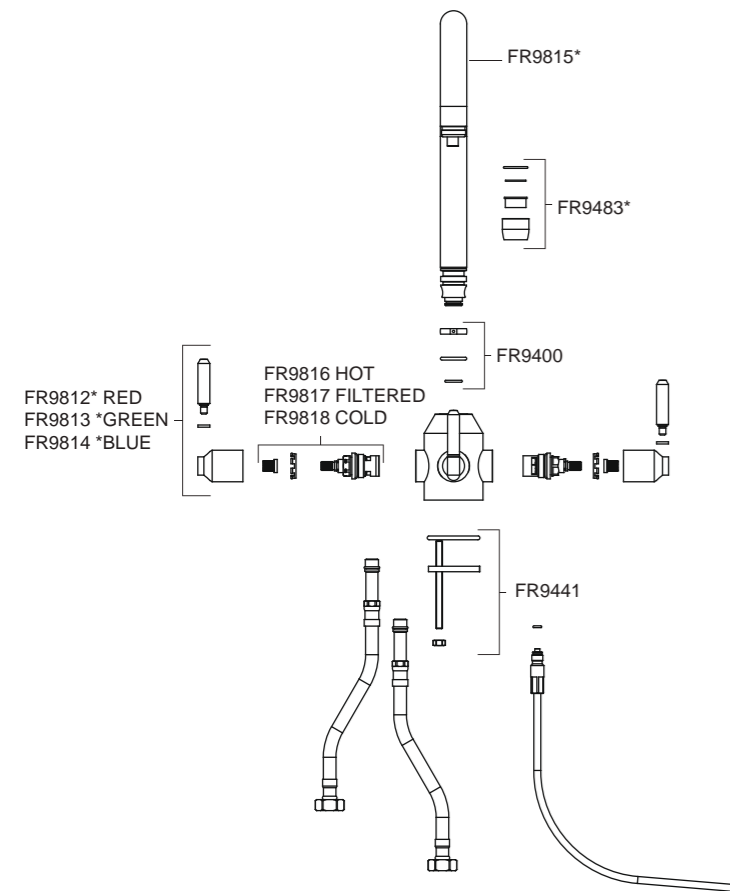
Franke Triflow

Spare Parts

Spare Parts

For maintenance and repairs, other than routine cartridge changes, we recommend you employ a Registered Plumber.

Before ordering spare parts, determine the correct reference number from the exploded diagram. Quote this number, and where appropriate, the colour of your tap.



Franke Triflow
Unit 1, Gateway XIII
Ferry Lane, Rainham,
Essex
RM13 9JY

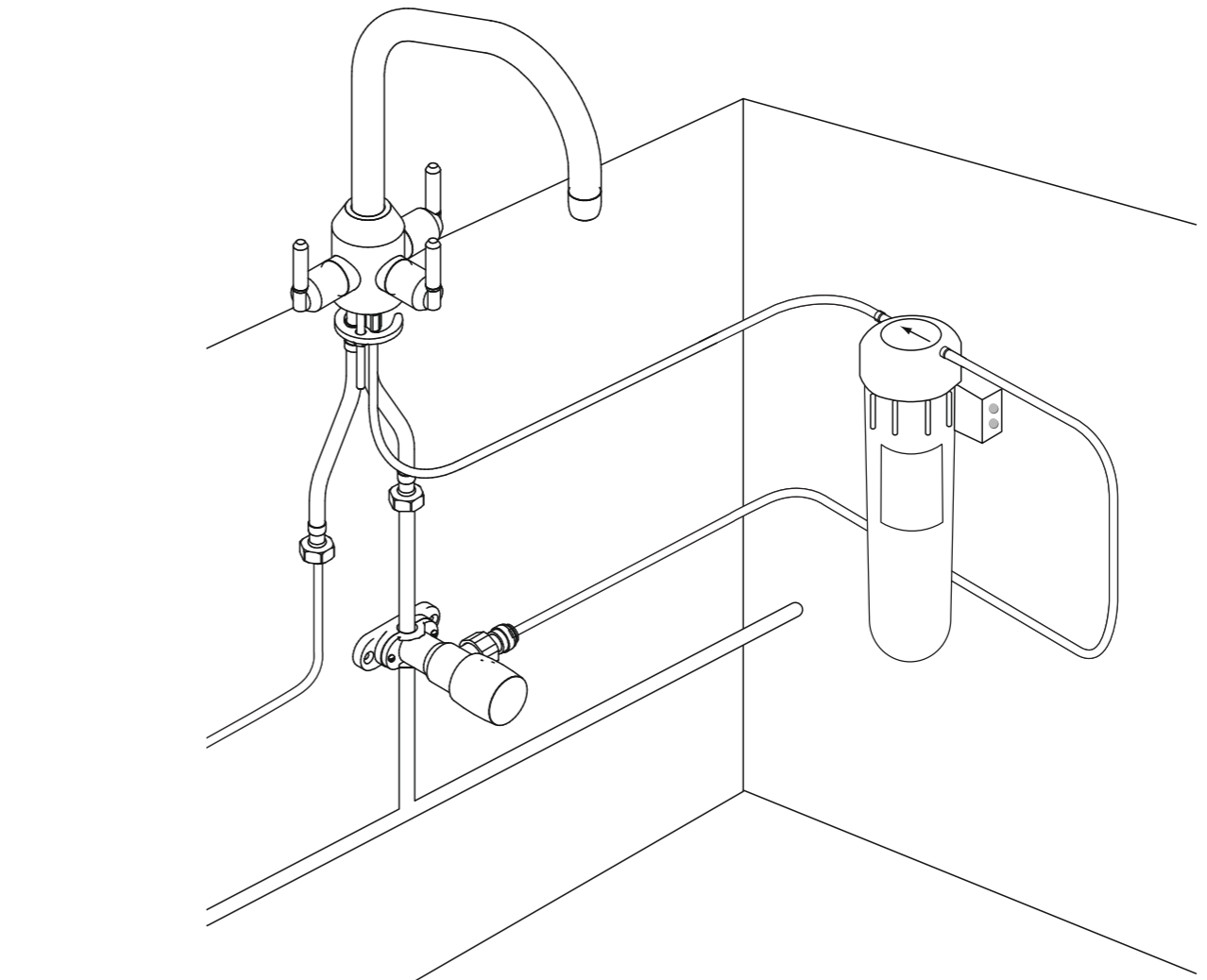
PHONE: +44 (0) 1708 526 361
FAX: +44 (0) 1708 550 220
cartridges@franke-triflow.co.uk
www.franke-triflow.co.uk

Guarantee

For written details of the product guarantee, please refer to the enclosed guarantee card or contact us at the address shown opposite.

Franke Triflow Trend

Installation and User Guide



Please register this product

You can register your Franke Triflow in the following ways:

- Complete and return the freepost registration card enclosed or
- EMAIL: cartridges@franke-triflow.co.uk
- ONLINE: www.franke-triflow.co.uk
- PHONE: +44 (0) 1708 526 361
- FAX: +44 (0) 1708 550 220

Franke Triflow

Introduction and Installation

Introduction

The Franke Triflow is manufactured to exacting standards. Carefully installed and maintained it will give many years of trouble free use.

Ideally installed on an equal pressure system. The Triflow allows hot and cold water to mix in the body. If the supplies are imbalanced, control of the mixing temperature may be affected. An additional check valve (not supplied) should be fitted to the Hot side when used on an imbalanced system.

Before you proceed... We recommend you engage the services of a registered plumber to install this product.

Read the instructions and diagrams in this leaflet carefully.

Check List

- I Recommended minimum cold water pressure **25psi (1.7 bar)**.
- I For optimum filter performance use the stop valve to set the filtered water flow to **1½ - 2 litres/min (2¾ - 3½ pints/min)**.
- I The recommended maximum temperature of the hot water supply to the Triflow mixer tap in metal finishes is **85°C**.
- 1** Position the filter to allow easy access for future cartridge changes.
- 2** Make sure the grey collars are in place in the end of the push fit connectors – **Diagram B**
- 3** Take care with the plastic tubing – correctly installed tubes can withstand pressures in excess of 500psi (33bar). However, creasing, stretching, exposure to a naked flame or locating near a heat source will impair its pressure rating and may lead to failure and subsequent flooding.
- 4** Take care with the plastic tubing – scratches and scores where the connections are made will cause leaks. If you need to cut the tubing, use a sharp blade and chamfer the cut end.
- 5** Push the plastic tube completely in when making the 'Push Fit' connections into the cap – **Diagram B**
- 6** Position the plastic tubes neatly to avoid side strain and the possibility of accidental damage.

Diagram A
Typical Installation

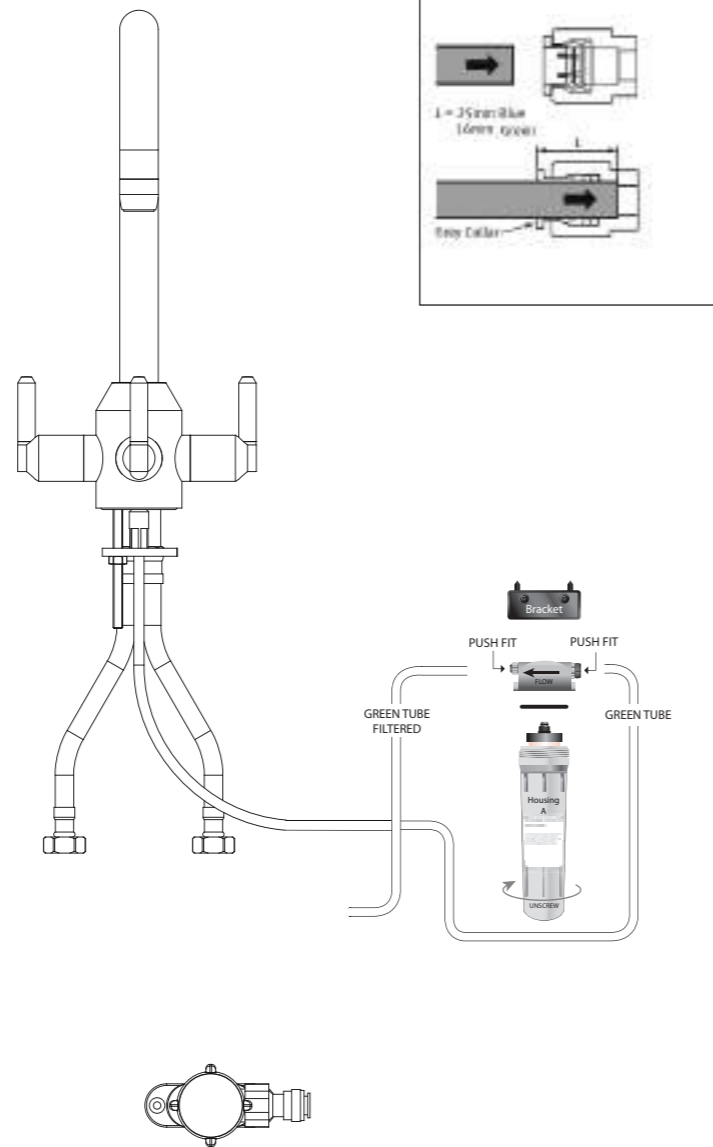
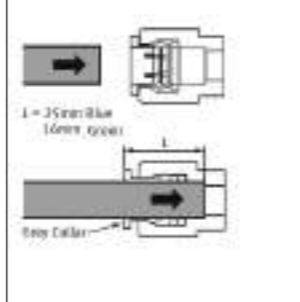


Diagram B
Push Fit Connections



NOTE: Inlet connections may vary dependant on Country.

- 7** If you need to remove the tubes from the 'Push Fit' connections, use your thumb and forefinger to hold in the grey collar (**Diagram B**) while gently pulling the tube out. Before re-inserting the tube, trim the length back by 25mm and chamfer the end.
- 8** Water must flow through the filter in the direction of the arrow on the top of the cap.
- 9** Check system carefully for leaks.
- 10** After installation, if building work is to be carried out near the Franke Triflow Tap, it should be covered to prevent paint, tile adhesive etc., damaging the surface finish.
- 11** Please ensure that the installation complies with the local Water Supply Bye-laws.

Franke Triflow

Care & Maintenance

Operation

A unique feature of the Franke Triflow tap is the three operating valves – one each to control the flow of hot, cold and filtered water. Each handle is clearly marked: hot/red, cold/blue and filtered/green. The flow from full-off to full-on is adjusted by simply rotating the handles – forward for hot and cold, to the left for filtered water.

Important: Each time the filtered water is turned on, allow it to run for a few moments to expel the small amount of residual water in the pipework between the filter and the faucet.

The Triflow Tap

Cleaning – The Franke Triflow 3 way tap itself requires little routine maintenance beyond the occasional cleaning of the plated finish with a soft cloth and warm soapy water, followed by a polish with a soft cloth. Do not under any circumstances use abrasive liquids, powders, or scouring pads to clean the tap. You will damage the plated finish and void your guarantee.

The flow straightener fitted to the hot/cold water outlet may need occasional cleaning. This will be evident when the water flow slows down to an unacceptable level. This is accomplished by unscrewing the outlet in an anti clockwise direction, then rinse thoroughly in clean water and re-install.

General Information

- 1** The Franke Triflow is not a water softener, and unlike some jug filters, does not remove the minerals essential to good health and taste. In hard water areas, calcium, perhaps the most essential of these minerals forms a precipitate when the water is boiled. Most commonly this forms a scale in the kettle, and in extreme cases, appears as white flecks in the boiled water or as a surface film on tea and coffee.

A convenient remedy for this problem is to use one of the new generation of kettles now available. These kettles incorporate a special screen which removes the precipitate but not essential minerals thereby complementing the use of your Triflow system.
- 2** If you plan to be away from home for more than two or three days, we recommend turning off the main water supply to the filter. Once turned on again, allow the water to run for a few moments before use.
- 3** If you plan to be away from home for extended periods, or the filter housing may be subject to the risk of freezing, you must turn off the main water supply to the filter and remove residual water from the filter housing (see cartridge replacement sheet). Once turned on again, allow the filtered water to run for two minutes before use.
- 4** Take care when moving things under the sink unit or you may cause a leak by damaging the plastic tubes leading to and from the filter housing.
- 5** If the 'Push Fit' connectors require tightening after installation, a force of no greater than 1.5Nm torque (hand tight) should be applied. Overtightening will damage the fitting and invalidate your guarantee.
- 6** When comparing the taste of the filtered water with the untreated water use a clean glass and drink the filtered water first.